

TOUCH

External smart touch control panel (flush-mounted)

Art. No. 310.000.0700



Function

The flush-mounted **OSF**-control panel enables the remote control of important functions of the following **OSF**-controls

- **OSF** Filter-, backwash control EUROMATIK.net, PC-40.net, PC-45 exclusiv.
- **OSF** Dosing control WATERFRIEND MRD-1, MRD-2 or MRD-3.
- **OSF** RGB Lighting controller Color-Control.NET with 3 Attractions
- **OSF** Attraction control for 6 attractions and «Attraktion-control.plus».
- **OSF** Pool-cover controller Cover-control.plus
- **OSF** Steamgenerator Silver-Steam, as of 2015

Technical data

Dimensions:	195mm x 175mm x 30mm
Operating voltage:	12V Safety extra-low voltage
max. cable length:	50m
Protection class:	IP 65

Table of contents

Function	1
Technical data	1
Table of contents	2
Installation site	3
Mounting	3
Installation of the control panel in the tile frame	3
Electrical Connection	4
Low-voltage cables.....	4
Wiring diagrams	4
Connection of devices via the digital data bus „osf bus“	4
Connection with EUROMATIK.net	4
Connection without EUROMATIK.net	5
LAN	6
Connecting devices via LAN	6
Operation	6
Overview.....	7
Device list	7
Display settings	7
About touch display	7
Time & date	7
Language.....	7
Screen lock settings	7
Infoscreen settings	8
Add OSF device (LAN connection)	8
Service functions	9
Touch screen calibration	9
Factory settings	9
Network settings.....	9
Menus of the connected devices	9
Euromatik.net	9
Swimming pool cover	9
Manual operation.....	10
Attraction controller Attraktionssteuerung.NET	10
Dosing station WATERFRIEND	11
Color light controller Color-control.NET	11
Edit color program	11
Configuration of attractions	12
Configuration of the DMX output	12
Steam generator Silver-Steam	12
Swimming pool controller PC-45 exclusiv	12
Attraction controller Attraktion-control.plus	13
Cover-control.plus controller for the swimming pool cover	13

Installation site

The external control panel includes, among other things, buttons for operating the swimming pool cover. For this reason, the external control panel may only be installed in a location that allows an unrestricted view of the entire swimming pool. The external control panel must not be installed in positions from which the swimming pool cannot be fully viewed! It is not suitable for installation outside of buildings.

Mounting

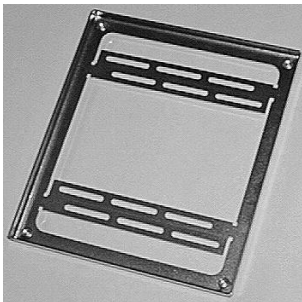
The control panel is designed for flush mounting using the tile frame supplied. Before opening the housing, the device must be de-energized.

The tile frame is installed by the tiler while the tiles are being laid.

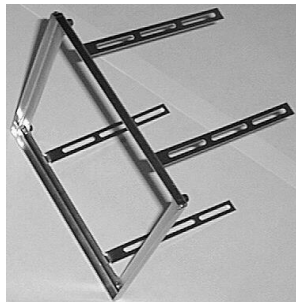
- 1.) Prepare the tile frame:

Bend all four fastening tabs backwards and then outwards.

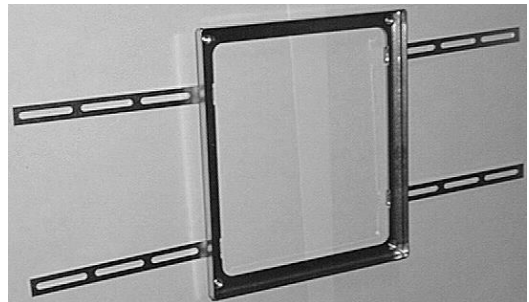
Tile frame



Bend the fastening tabs backwards



Bend the fastening tabs outwards



- 2.) Make a recess at the intended mounting location in the wall, which will later accommodate the tile frame and the housing.
- 3.) Align the tile frame in front of the wall recess as follows:
 - horizontally
 - perpendicular
 - ***the front edge of the tile frame must be flush with the tiles!***
- 4.) Fix the fastening tabs to the wall with screws or nails and fix them with mortar or tile adhesive.
- 5.) Lay tiles right up to the outer edge of the tile frame.

Installation of the control panel in the tile frame

The installation of the control panel in the tile frame is done by an electrician after the wall has been covered with tiles and grouted.

- 1.) Lead connecting cable through the cable gland, and then tighten the pressure screw of the screw. The cable entry must be watertight.
- 2.) Insert the metal housing into the tile frame and fasten it with the enclosed 4mm stainless steel screws. A screw is screwed into each of the 4 corners.
- 3.) Connect the cable to the control panel in accordance with the installation and operating instructions. The clamps are on the back of the board.

- 4.) Insert the control panel into the housing and screw it to the metal frame with the enclosed screws. All screws must be screwed in to prevent water from entering. The seal must not be damaged.
- 5.) Carefully place the cover frame with the magnetic holder. The magnets must engage in the recesses of the board.

Electrical Connection

The electrical connection as well as the work of adjustment and servicing should be carried out only by an approved electrician! The connection diagrams enclosed and the relevant safety provisions applicable must be observed and followed.

Low-voltage cables

Low-voltage cables should not be laid along with three-phase or AC cables in the same cable duct. In general, laying low-voltage cables near three-phase or AC cables must be avoided.

Wiring diagrams

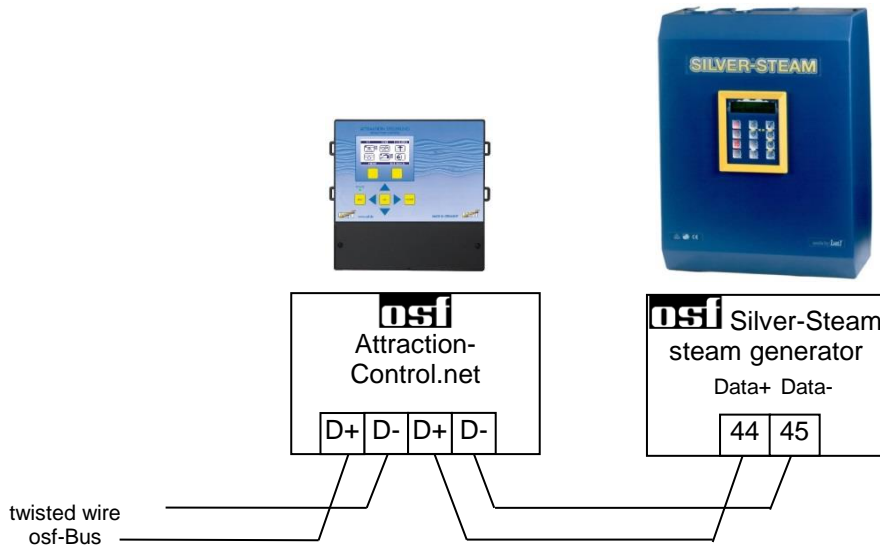
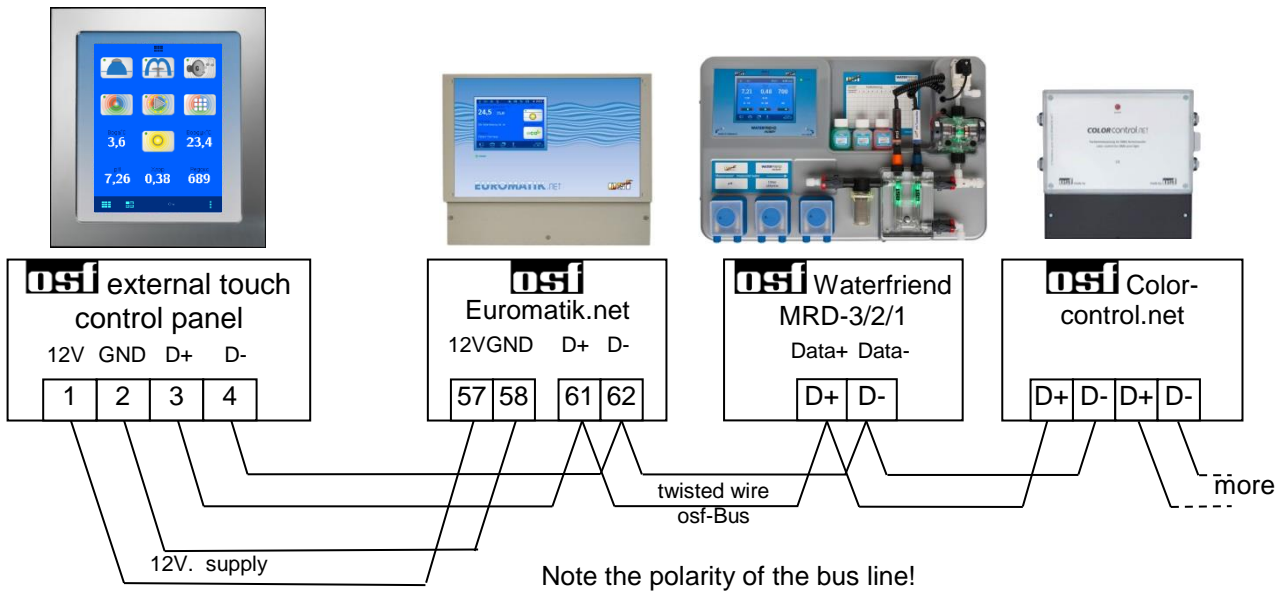
The power supply for the touch control panel can either be via EUROMATIK.net or via an external power supply unit. Data communication is carried out via osf bus. Several devices can be connected to the osf bus. Note the polarity of the bus line!

Connection of devices via the digital data bus „osf bus“

Devices connected via the osf bus communicate automatically with the control panel. Below is a list of the devices that are connected via the osf bus data bus: Euromatik.net, PC-40.net, Attraction-Control.net, Color-Control.net, all Waterfriend MRD dosing stations and the Silver- Steam.net steam generator.

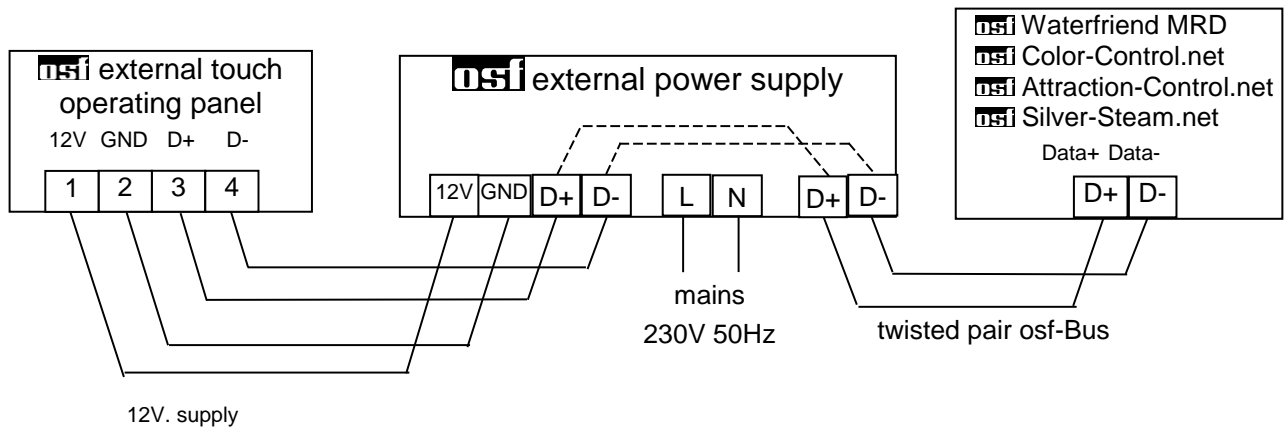
Connection with EUROMATIK.net

A 4-core cable 4x0.5mm² (e.g. J-Y (St) Y 2x2x0.8, Art. No. 102.000.1012) with a maximum length of 50m is used to connect to Euromatik.net.



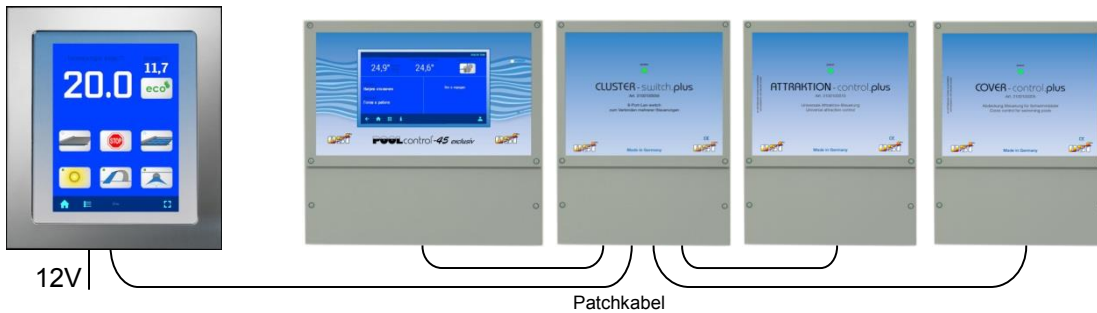
Connection without EUROMATIK.net

If no EUROMATIK.net is available, the power supply for the touch control panel can be provided via an additional external power supply unit (Art. No. 330.001.2000).



LAN

The external smart touch control panel has a LAN connection (Ethernet, RJ45). Communication with OSF devices such as PC-45 exclusive, Cover-Control-Plus and Attraction-Control-Plus takes place exclusively via the LAN network. To communicate with these devices, all controllers must be connected to the same local network. The easiest way is to connect all network devices to a network switch. The **DSI**-range includes the suitable **DSI**-cluster switch plus. A standard network cable (patch cable, CAT5) must be used for connections.



Connecting devices via LAN

Devices connected via a local network must first be added to the list of available devices. To establish a connection, select the "Add device" submenu in the main menu and select the desired block from the list. Then follow the instructions to connect.

Operation

Overview



Overview

Device-
list

Screen-
lock

Device list



Settings

Overview

The overview display depends on the devices connected to the touch control panel.




In the event of faults or alarms in devices, an alarm symbol in the form of a semicircle is displayed on the main page to the left of the device measured values.

Red light indicates an alarm, yellow a warning (e.g. an empty canister at a dosing station).




Device list

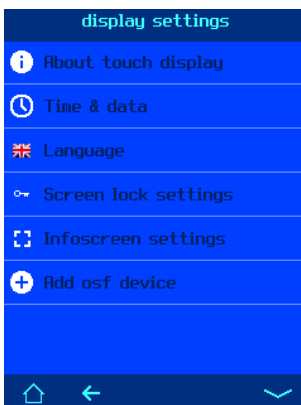
All connected devices are displayed on this screen. (See the picture on the previous page).

The button  on this page searches for and queries all connected devices via the osf bus. The survey is carried out automatically every few minutes.

Each available (linked) device has its own menu structure.

The button  leads to the main menu of the display settings.

Display settings



In this menu, settings are made that relate to the external control panel itself and not to the devices connected to it.

About touch display

This menu item leads to a screen showing the version and date of the external smart touch control panel program.

Time & date

In this menu you can set and synchronize the clocks of all connected devices. To synchronize all clocks, you have to press the corresponding button.

Note: If automatic time setting via the Internet is selected, all connected devices must be connected to the Internet.

Language

In the Language menu you can change the language for the external touch control panel.

Screen lock settings

This submenu contains two settings:

1. Screen lock (on or off). When the lock is activated, a key icon is displayed on the bottom line of the main screen. Pressing this button will lock all buttons on the screen. To unlock, press the key icon again and hold it down for 5 seconds.

2. Screen lock timer. This parameter determines after how many minutes of inactivity the control panel screen will automatically lock. To unlock, press and hold the key icon for 5 seconds.

Infoscreen settings



In this submenu you can adjust the appearance of the info screen. The info screen shows the various pool parameters measured by the connected devices. If two pool controllers are connected, the info screen shows the water temperature of the device, which is higher in the list of connected devices.

1. The Info Screen Settings screen displays the appearance of all Info screens. There are 3 different screens possible, which alternate at individually defined intervals. Each screen can display up to 3 pool parameters.
2. Timer for the start of the information screen. This parameter defines after how many minutes of inactivity the control panel screen automatically switches to the display mode of the info screen. If the time has not been set, the info screen can be switched on with the button on the main screen.

Add OSF device (LAN connection)



In this menu, the selected device can be connected to the control panel via LAN. To connect two devices, make sure that both devices are online. After selecting the desired device from the menu, the communication instructions will appear on the screen. Connection takes place in three steps:

1. Press the Start button on the control panel. At the same time, commands are sent to the network to search for the desired device.
2. Press the answer button on the second device to confirm the connection. Note: For different devices, the answer button may be on the device screen or it may be a physical LAN button.
3. When the connection is successful, the control panel will display the type and serial number of the connected device. To save the connection, press the OK button.

Service functions

The second display settings screen contains utility functions. The menu is initially locked to prevent accidental changes. Press the key symbol for 3 seconds to unlock.

Touch screen calibration

In this menu you can calibrate the touchscreen. Calibration of the display is required if the device does not correctly recognize finger touches.

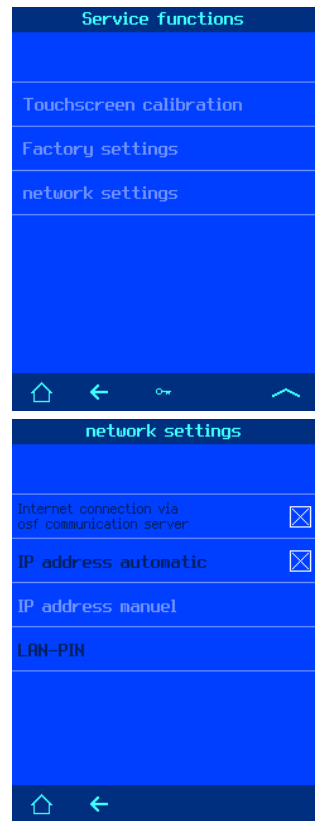
To perform the calibration, follow the on-screen instructions, three times touch the squares in different places on the screen, and save the calibration results by pressing the "OK" button.

Factory settings

By pressing the "YES" key, all user parameters are reset to the factory settings. All operational logs remain unchanged.

Network settings

The factory LAN settings of the smart touch device enable plug-and-play remote control. If necessary, you can set the IP address manually and prevent the device from communicating with the OSF communication server. (For details, see "Internet Connection" section.) Access to change settings via LAN is restricted by a PIN code, which can be viewed and changed here.



Menus of the connected devices

Euromatik.net

The menu structure of the Euromatik.net control unit on the external smart touch panel largely repeats the structure of the display menu on Euromatik.net's own display and shows the most important and required parameters and settings.



Swimming pool cover

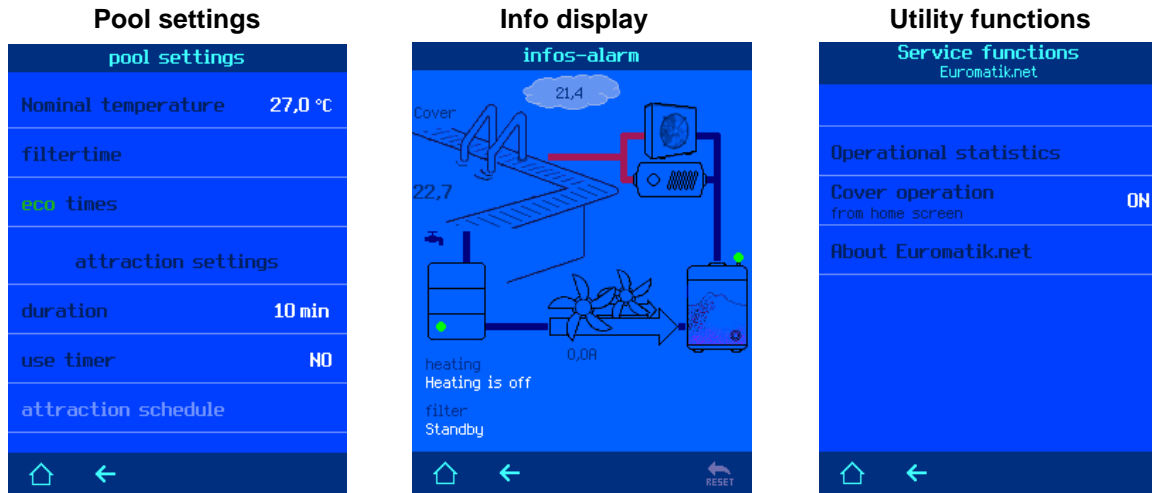
Before operating these switches, the swimming pool must be subjected to a visual inspection. The swimming pool cover may only be moved if it is certain that



there is no person in the swimming pool and that moving the swimming pool cover does not result in a dangerous situation.

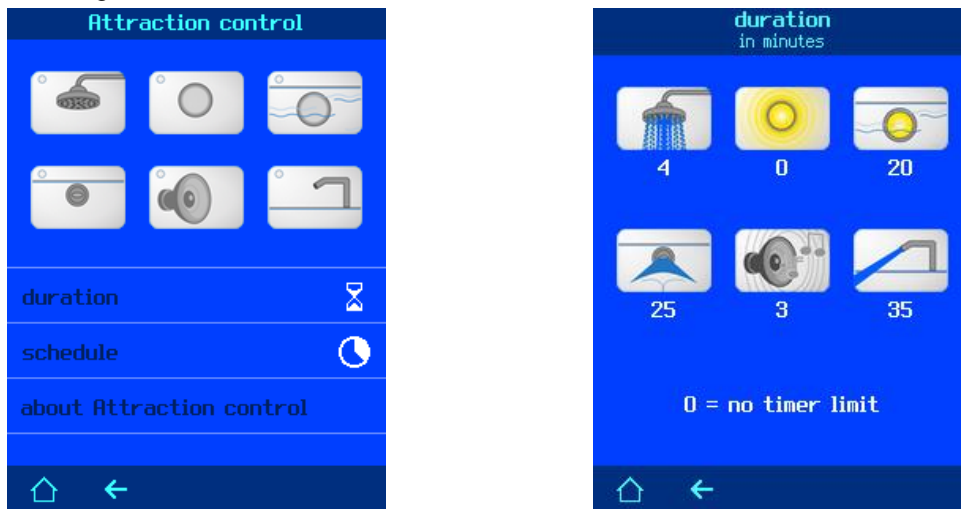
Manual operation

In this menu it is possible to switch on the filter pump manually outside of the filter cycles and to start the backwashing manually.



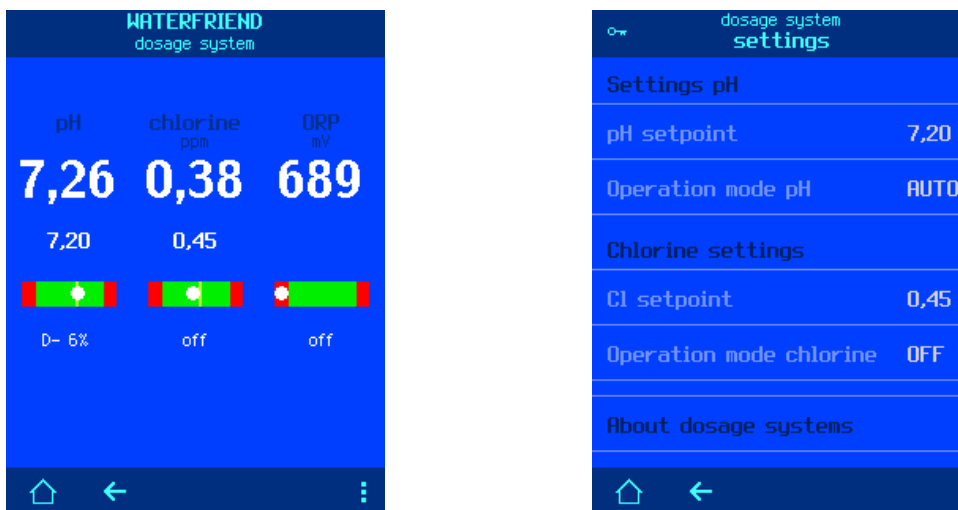
Attraction controller Attraktionssteuerung.NET

The menu of the Attraktionssteuerung.NET menu on the external smart touch panel shows the most important parameters and settings.



Dosing station WATERFRIEND

As an example, the screen of the MRD-3 dosing system is shown below. The screens for the dosing systems MRD-1 and MRD-2 look similar with the display of the corresponding parameters.



The control parameters of the dosing station are protected against inadvertent adjustment. To remove the protection you need to click and hold the key icon in the top left corner for 5 seconds.

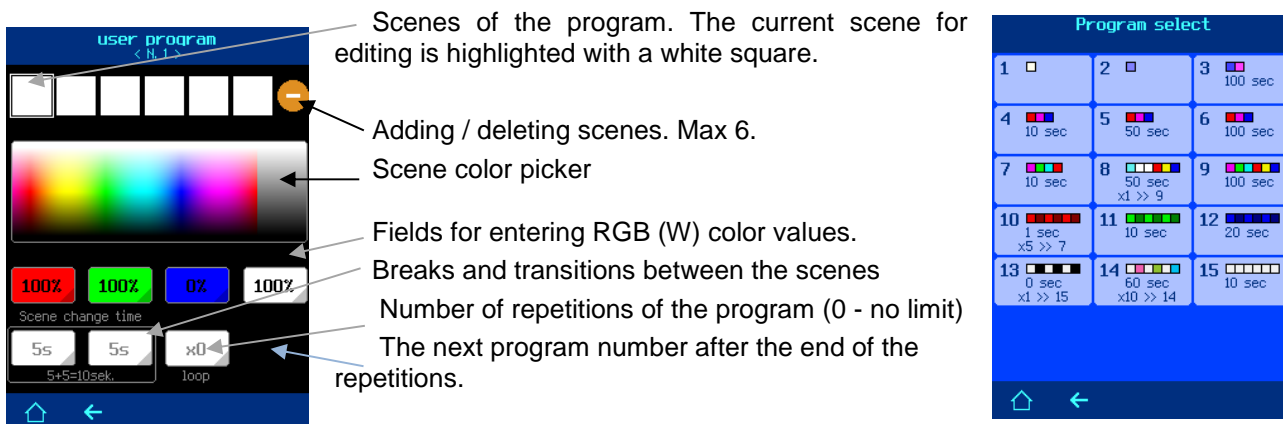
Color light controller Color-control.NET

The Color-Control.NET is used to set and control colored pool lighting and to control three attractions.

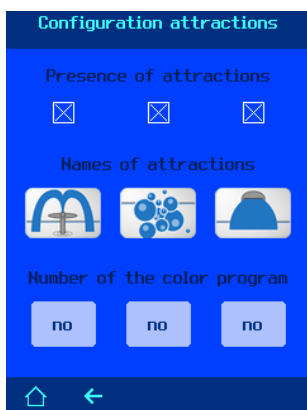


Edit color program

The color programs can be edited in this menu after you have previously selected the program for editing.



Configuration of attractions



Here you can determine the presence of the attraction. Attractions that are de-selected here will not be displayed on the control and settings screens.

Assign a name to the attraction by selecting an image for it.

Also enter the number of the color program that should run parallel to the operation of this attraction.

Configuration of the DMX output

Here you can define the number of DMX channels per zone. This way you can control both RGB and RGBW with additional white color. The Color-Control.net can control 10 zones independently of each other. In order

to implement a complex color composition consisting of several DMX projectors that light up in different colors, different projectors have to be set up for different zones and accordingly different color schemes for scenes have to be defined for each zone.



Steam generator Silver-Steam

The menu of the Silver Steam steam generator on the external smart touch panel shows the most important parameters and settings. For more details on the settings, see the instructions for the steam generator.

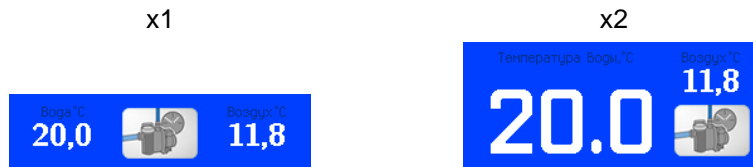


Swimming pool controller PC-45 exclusiv

The version number and the IP address of the connected device are displayed in the top line of the screen. The minus button removes a device from the list of available devices.



Via the display size menu, you can select the appearance of the PC-45 exclusively on the main screen of the control panel.



Attraction controller Attraktion-control.plus

The version number and the IP address of the connected device are displayed in the top line of the screen. The minus button removes a device from the list of available devices.



Here you can set time limits and timers for the 3 attractions. It is possible to program 15 independent switching cycles per attraction.

Cover-control.plus controller for the swimming pool cover

The version number and the IP address of the connected device are displayed in the top line of the screen. The minus button removes a device from the list of available devices.



Please also observe the installation and operating instructions for the connected **TS1**-devices.

Further information can be found on the Internet at the following address:

<https://osf.de/download/documents/documents.php?device=smart-Touch>



We wish you much joy and relaxation in your swimming pool.